

Production Range 2015

...Document n.PL1501 in force from 2 February 2015



New Bi-Levelling Undercarriage by

ALMAC

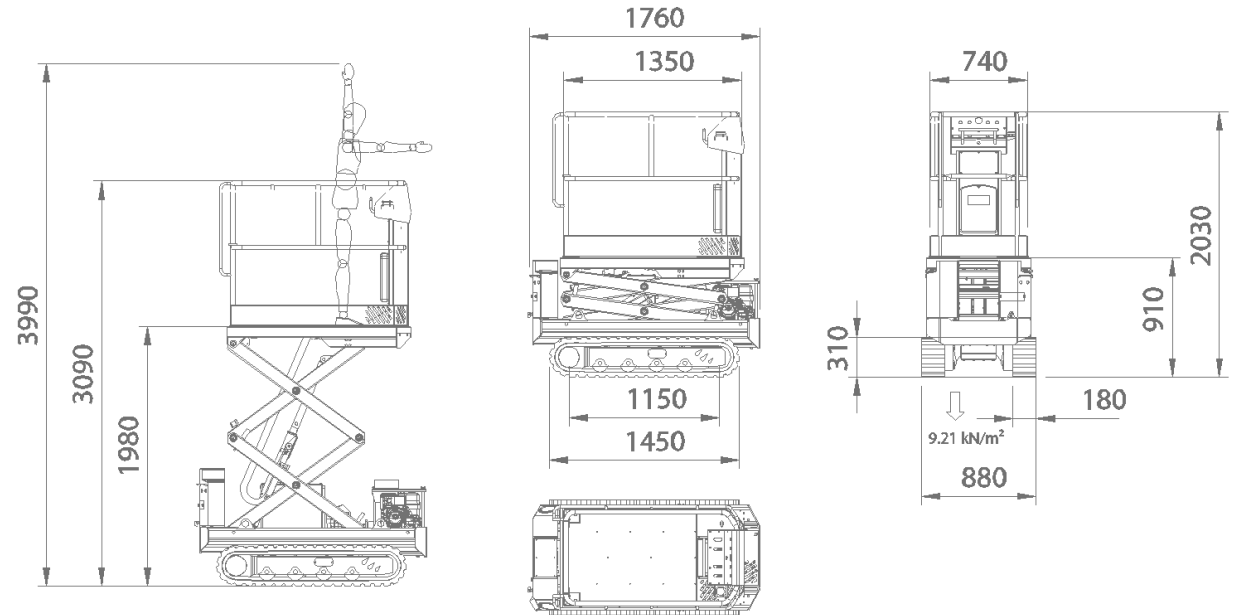
www.almac-italia.com



MODEL	UNDERCARRIAGE	CAGE	WORKING HEIGHT	OPERATORS	CAPACITY	WEIGHT	MAX INCLINATION		MAX WORKING HEIGHT IN TRANSLATION	TRANSLATION ALLOWED WHEN
							LATERAL	LONGITUDINAL		
Bibi 410	Fixed	Fixed	3,9 mt	1	120 kg 1 operator + 40 kg equipment	950 kg	+/- 5°	+/- 5°	3,9 mt	ALWAYS
Bibi 510	Fixed	Fixed	4,9 mt	2	200 kg 2 operators + 40 kg equipment	1020 kg	+/- 5°	+/- 5°	4,9 mt	ALWAYS
Bibi 510-A	Extendable	Fixed	4,9 mt	2	200 kg 2 operators + 40 kg equipment	1100 kg	+/- 5°	+/- 5°	4,9 mt	ALWAYS
Bibi 630	Fixed	Fixed	5,9 mt	2	200 kg 2 operators + 40 kg equipment	1600 kg	+/- 3°	+/- 3°	4,5 mt	ALWAYS
Bibi 630-L	Levelling	Fixed	5,9 mt	2	200 kg 2 operators + 40 kg equipment	1350 kg	16° +/- 1°	+/-3°	3,8	TRANSPORT CONDITION
Bibi 630-BL	Bi-Levelling	Fixed	6,4 mt	2	200 kg 2 operators + 40 kg equipment	1700 kg	20° +/- 1°	20° +/- 1°	6,4 mt	MAXIMUM GAP 4° (80 mm)
Bibi 850	Fixed	Fixed	7,5 mt	2	250 kg 2 operators + 90 kg equipment	1850 kg	+/- 3°	+/- 3°	6,0 mt	ALWAYS
Bibi 850-T	Fixed	Movable	7,5 mt	2	250 kg 2 operators + 90 kg equipment	1850 kg	+/- 3°	+/- 3°	6,0 mt	ALWAYS
Bibi 850-BL	Bi-Levelling	Movable	8,0 mt	2	250 kg 2 operators + 90 kg equipment	1980 kg	15° +/- 1°	20° +/- 1°	6,0 mt	MAXIMUM GAP 4° (80 mm)

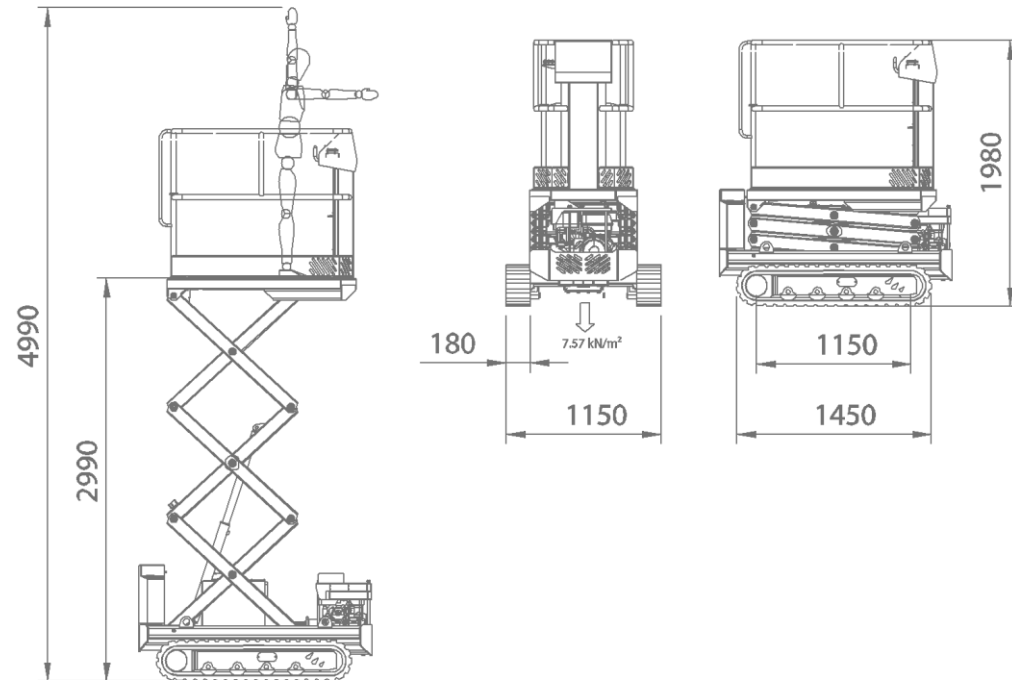
MODEL		FUEL & ENGINE	PAGE	COMMANDS & CIRCUITS	EASY DRIVE	DIRECTION CONTR.	KIT HIGH SPEED	AUTO LEVELLING	ELECTRIC PUMP 220V 2,2KW	GENERATOR 220V-1000W	NO-MARKING TRACKS	KIT SUPPLY ELECTRIC SHEARS	CUSTOMIZED COLOR (1)	CUSTOMIZED COLORS (2)
Bibi 410		Gasoline Honda GX270 Manual Accelerator	3	Hydraulic					n.a.	n.a.	available	available	available	available
Bibi 510		Gasoline Honda iGX390 Auto Accelerator	4	Electrohydraulic	✓	✓			n.a.	available	available	available	available	available
Bibi 510-A		Gasoline Honda iGX390 Auto Accelerator	5	Electrohydraulic	✓	✓			n.a.	available	available	available	available	available
Bibi 630		Gasoline Honda iGX390 Auto Accelerator	6	Electrohydraulic	✓	✓			available	available	available	available	available	available
Bibi 630-L		Gasoline Honda iGX390 Auto Accelerator	7	Electrohydraulic	✓	✓		✓	available	available	available	available	available	available
Bibi 630-BL		Gasoline Honda iGX390 Auto Accelerator	8	Electrohydraulic	✓	✓	✓	✓	available	available	n.a.	available	available	available
Bibi 850		Gasoline Honda iGX390 Auto Accelerator	10	Electrohydraulic	✓	✓	✓		available	available	n.a.	available	available	available
Bibi 850-T		Gasoline Honda iGX390 Auto Accelerator	11	Electrohydraulic	✓	✓	✓		available	available	n.a.	available	available	available
Bibi 850-BL		Gasoline Honda iGX390 Auto Accelerator	12	Electrohydraulic	✓	✓	✓	✓	available	available	n.a.	available	available	available

Bibi 410



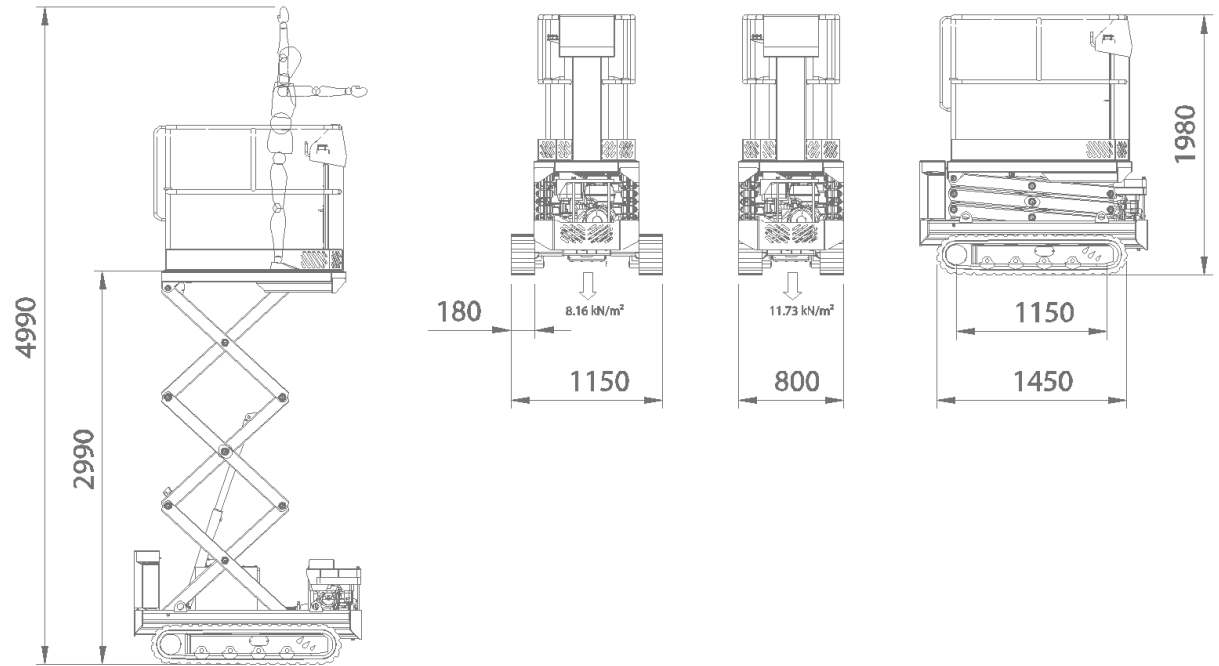
	UNDERCARRIAGE	CAGE	WORKING HEIGHT	OPERATORS	CAPACITY	WEIGHT	MAX INCLINATION		MAX WORKING HEIGHT IN TRANSLATION	TRANSLATION ALLOWED WHEN
							LATERAL	LONGITUDINAL		
	Fixed	Fixed	3,9 mt	1	120 kg 1 operator + 40 kg equipment	950 kg	+/- 5°	+/- 5°	3,9 mt	ALWAYS

Bibi 510



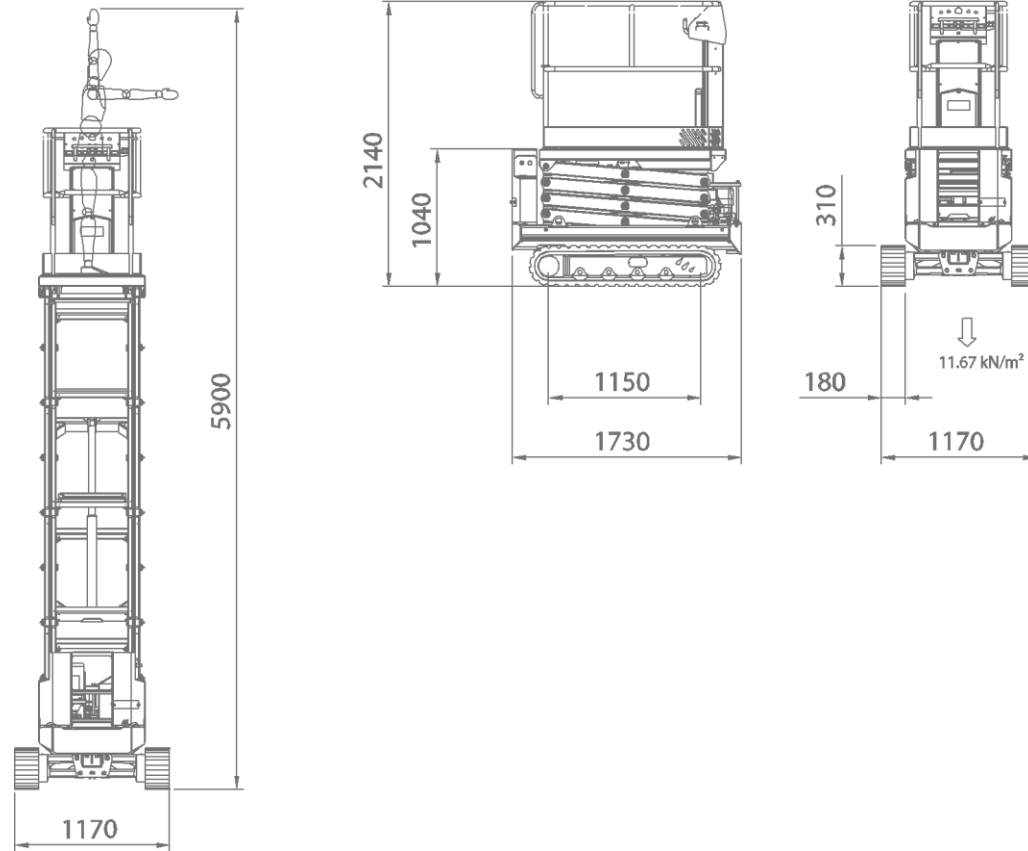
	UNDERCARRIAGE	CAGE	WORKING HEIGHT	OPERATORS	CAPACITY	WEIGHT	MAX INCLINATION		MAX WORKING HEIGHT IN TRANSLATION	TRANSLATION ALLOWED WHEN
							LATERAL	LONGITUDINAL		
	Fixed	Fixed	4,9 mt	2	200 kg 2 operators + 40 kg equipment	1020 kg	+/- 5°	+/- 5°	4,9 mt	ALWAYS

Bibi 510-A



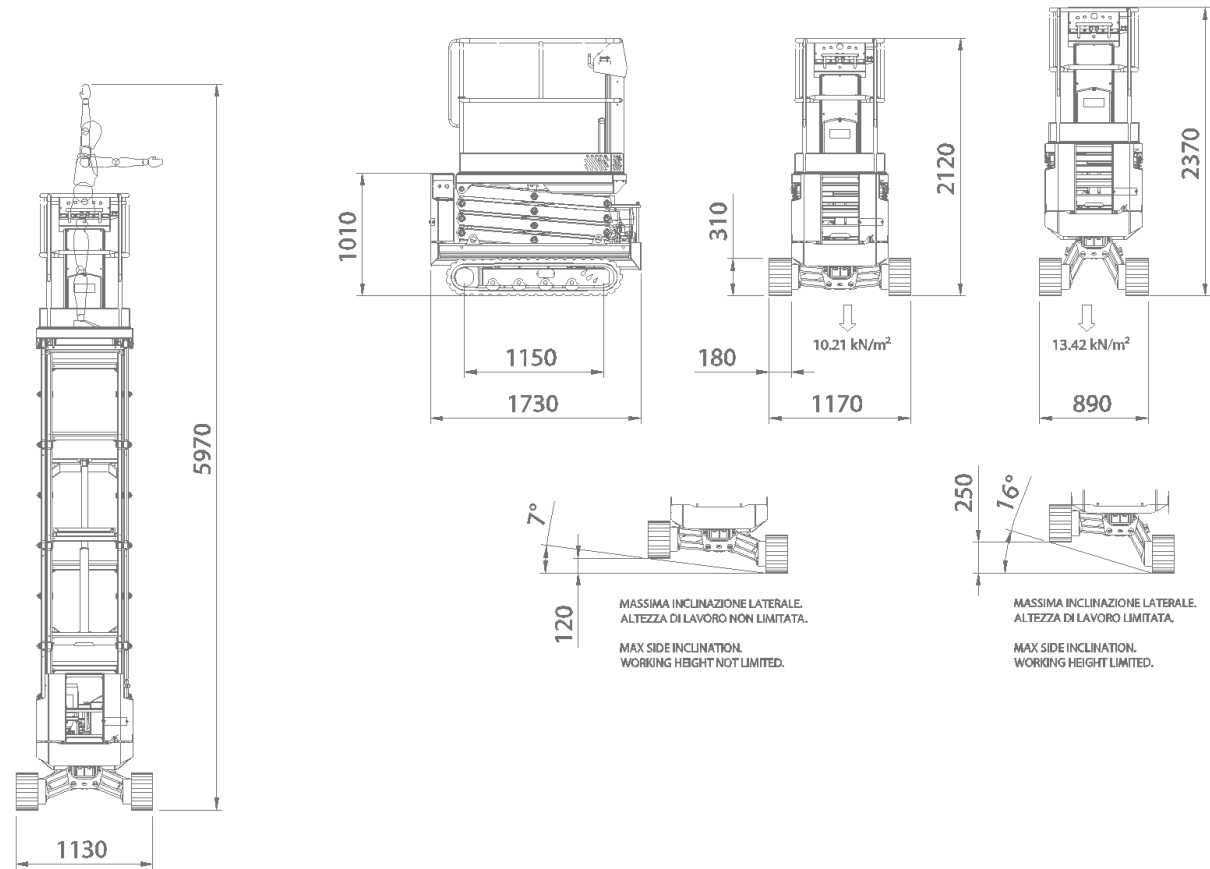
	UNDERCARRIAGE	CAGE	WORKING HEIGHT	OPERATORS	CAPACITY	WEIGHT	MAX INCLINATION		MAX WORKING HEIGHT IN TRANSLATION	TRANSLATION ALLOWED WHEN
							LATERAL	LONGITUDINAL		
	Extendable	Fixed	4,9 mt	2	200 kg 2 operators + 40 kg equipment	1100 kg	+/- 5°	+/- 5°	4,9 mt	ALWAYS

Bibi 630



	UNDERCARRIAGE	CAGE	WORKING HEIGHT	OPERATORS	CAPACITY	WEIGHT	MAX INCLINATION		MAX WORKING HEIGHT IN TRANSLATION	TRANSLATION ALLOWED WHEN
							LATERAL	LONGITUDINAL		
	Fixed	Fixed	5,9 mt	2	200 kg 2 operators + 40 kg equipment	1600 kg	+/- 3°	+/- 3°	4,5 mt	ALWAYS

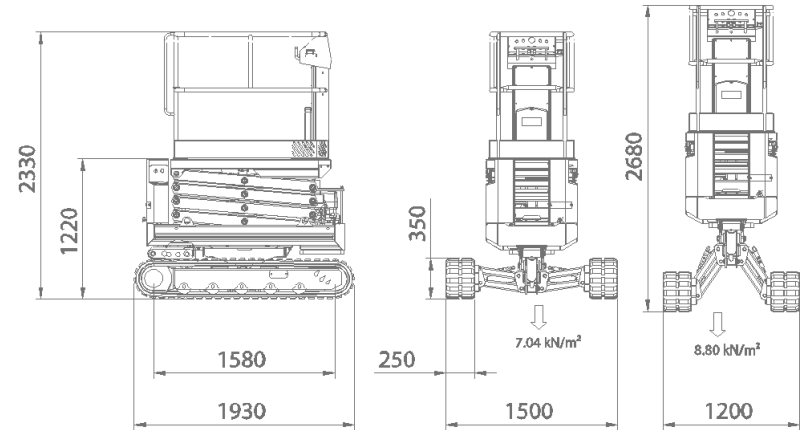
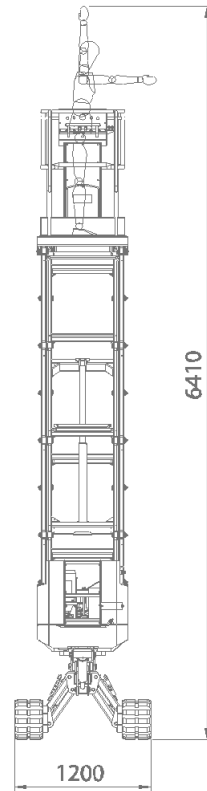
Bibi 630 -L



	UNDERCARRIAGE	CAGE	WORKING HEIGHT	OPERATORS	CAPACITY	WEIGHT	MAX INCLINATION		MAX WORKING HEIGHT IN TRANSLATION	TRANSLATION ALLOWED WHEN
							LATERAL	LONGITUDINAL		
	Levelling	Fixed	5,9 mt	2	200 kg 2 operators + 40 kg equipment	1350 kg	16° +/- 1°	+/-3°	3,8	TRANSPORT CONDITION

Bibi 630 -BL

PATENT PENDING

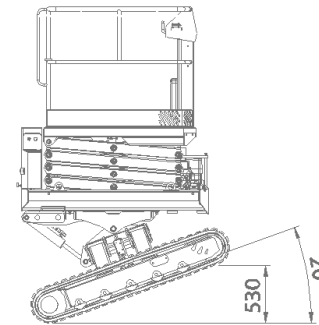
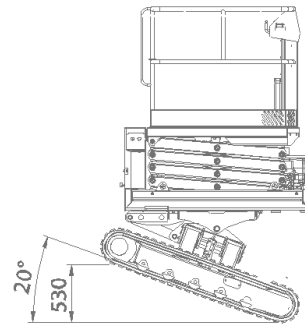


drawing 1 of 2

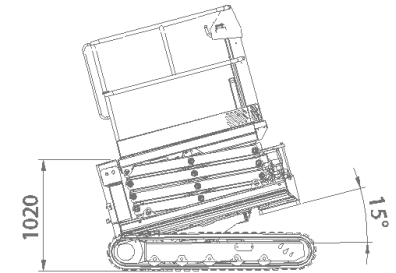
	UNDERCARRIAGE	CAGE	WORKING HEIGHT	OPERATORS	CAPACITY	WEIGHT	MAX INCLINATION		MAX WORKING HEIGHT IN TRANSLATION	TRANSLATION ALLOWED WHEN
							LATERAL	LONGITUDINAL		
	Bi-Levelling	Fixed	6,4 mt	2	200 kg 2 operators + 40 kg equipment	1700 kg	20° +/- 1°	20° +/- 1°	6,4 mt	MAXIMUM GAP 4° (80 mm)

Bibi 630-BL

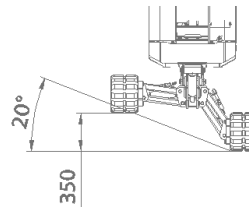
MASSIMA INCLINAZIONE LONGITUDINALE (ALTEZZA DI LAVORO NON LIMITATA)
MAXIMUM LONGITUDINAL INCLINATION (NOT LIMITED WORKING HEIGHT)



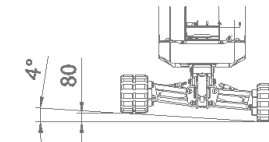
PATENT PENDING



MASSIMA INCLINAZIONE LATERALE (ALTEZZA DI LAVORO NON LIMITATA)
TRASLAZIONE NON PERMESSA
MAXIMUM SIDE INCLINATION (NOT LIMITED WORKING HEIGHT)
TRANSLATION NOT ALLOWED



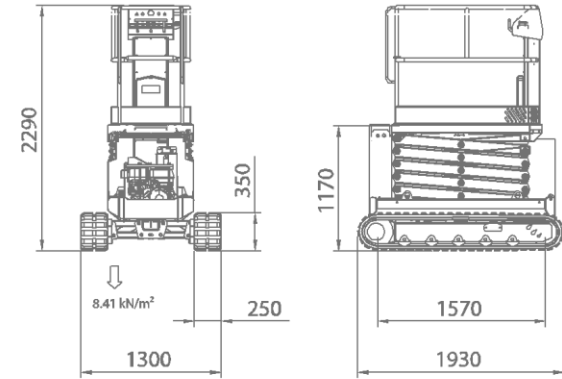
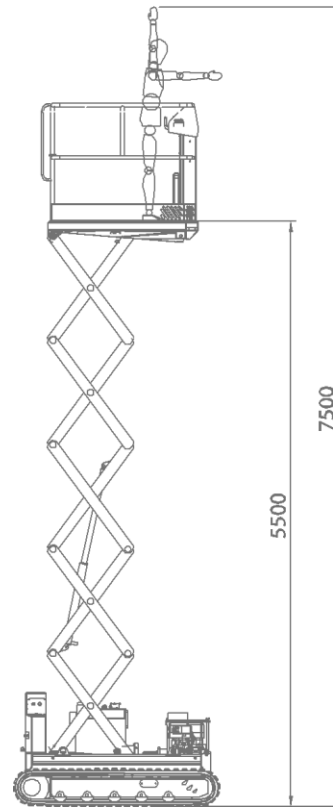
MASSIMA INCLINAZIONE LATERALE (ALTEZZA DI LAVORO NON LIMITATA)
TRASLAZIONE PERMESSA
MAXIMUM SIDE INCLINATION (NOT LIMITED WORKING HEIGHT)
TRANSLATION ALLOWED



drawing 2 of 2

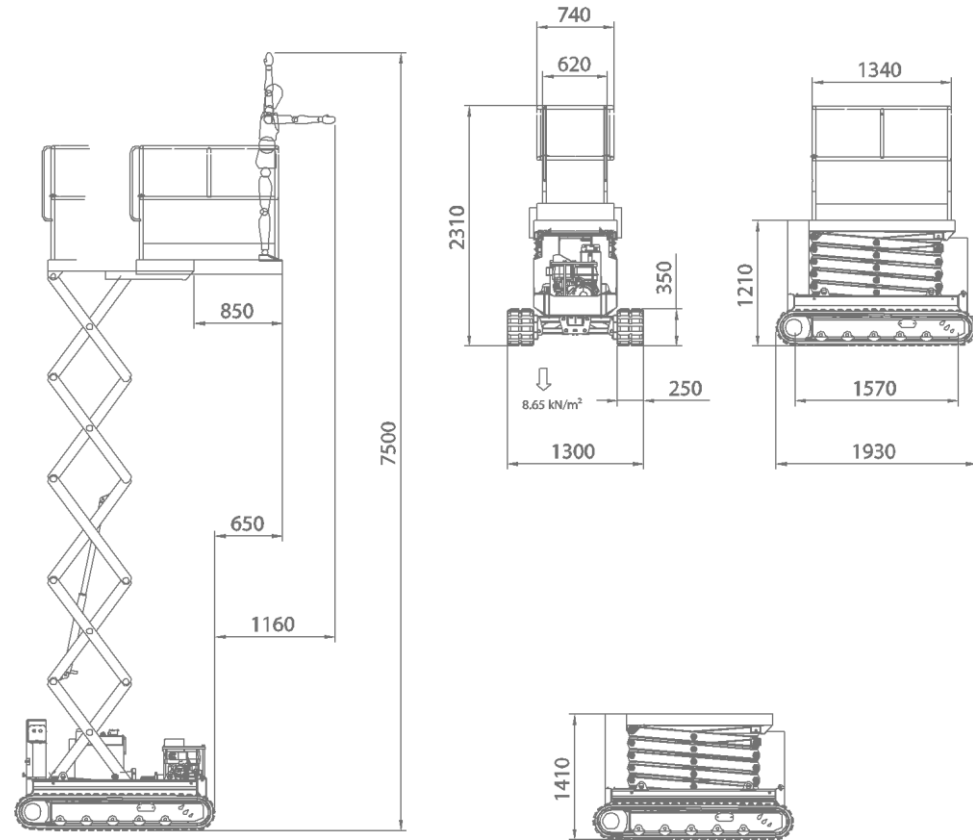
	UNDERCARRIAGE	CAGE	WORKING HEIGHT	OPERATORS	CAPACITY	WEIGHT	MAX INCLINATION		MAX WORKING HEIGHT IN TRANSLATION	TRANSLATION ALLOWED WHEN
							LATERAL	LONGITUDINAL		
	Bi-Levelling	Fixed	6,4 mt	2	200 kg 2 operators + 40 kg equipment	1700 kg	20° +/- 1°	20° +/- 1°	6,4 mt	MAXIMUM GAP 4° (80 mm)

Bibi 850



UNDERCARRIAGE	CAGE	WORKING HEIGHT	OPERATORS	CAPACITY	WEIGHT	MAX INCLINATION		MAX WORKING HEIGHT IN TRANSLATION	TRANSLATION ALLOWED WHEN
						LATERAL	LONGITUDINAL		
Fixed	Fixed	7,5 mt	2	250 kg 2 operators + 90 kg equipment	1850 kg	+/- 3°	+/- 3°	6,0 mt	ALWAYS

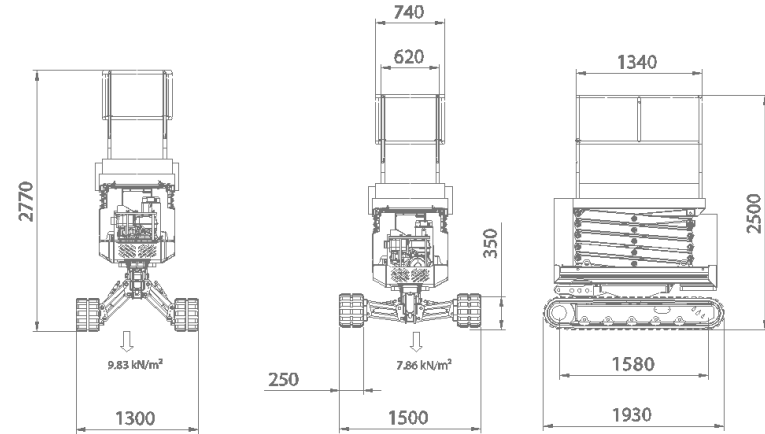
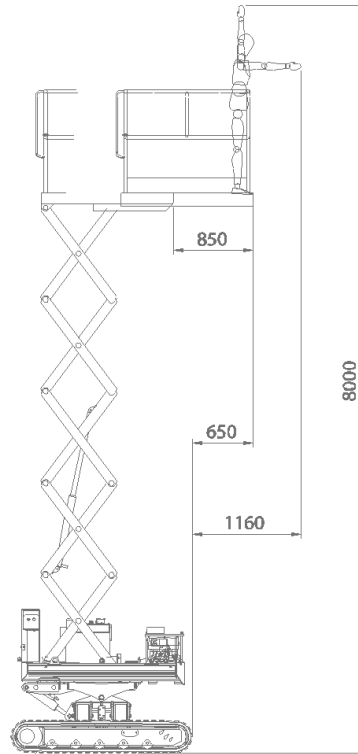
Bibi 850 -T



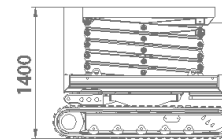
UNDERCARRIAGE	CAGE	WORKING HEIGHT	OPERATORS	CAPACITY	WEIGHT	MAX INCLINATION		MAX WORKING HEIGHT IN TRANSLATION	TRANSLATION ALLOWED WHEN
						LATERAL	LONGITUDINAL		
Fixed	Movable	7,5 mt	2	250 kg 2 operators + 90 kg equipment	1850 kg	+/- 3°	+/- 3°	6,0 mt	ALWAYS

Bibi 850 -BL

PRELIMINARE - DOCUMENTO RISERVATO
PRELIMINARY - CONFIDENTIAL DOCUMENT



PATENT PENDING

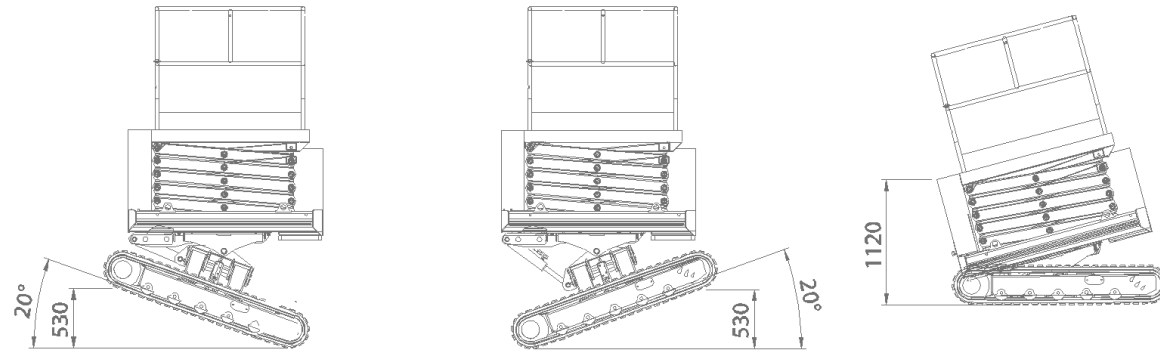


drawing 1 of 2

UNDERCARRIAGE	CAGE	WORKING HEIGHT	OPERATORS	CAPACITY	WEIGHT	MAX INCLINATION		MAX WORKING HEIGHT IN TRANSLATION	TRANSLATION ALLOWED WHEN
						LATERAL	LONGITUDINAL		
Bi-Levelling	Movable	8,0 mt	2	250 kg 2 operators + 90 kg equipment	1980 kg	15° +/- 1°	20° +/- 1°	6,0 mt	MAXIMUM GAP 4° (80 mm)

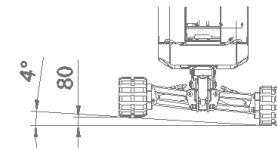
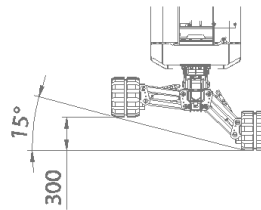
Bibi 850 -BL

PATENT PENDING



MASSIMA INCLINAZIONE LATERALE (ALTEZZA DI LAVORO NON LIMITATA)
 TRASLAZIONE NON PERMESSA
 MAXIMUM SIDE INCLINATION (NOT TLIMITED WORKING HEIGHT)
 TRANSLATION NOT ALLOWED

MASSIMA INCLINAZIONE LATERALE (ALTEZZA DI LAVORO NON LIMITATA)
 TRASLAZIONE PERMESSA AD ALTEZZA MASSIMA DI LAVORO 6.4 mt
 MAXIMUM SIDE INCLINATION (NOT TLIMITED WORKING HEIGHT)
 TRANSLATION ALLOWED WITH MAXIMUM WORKING HEIGHT 6.4 mt



PRELIMINARE - DOCUMENTO RISERVATO
 PRELIMINARY - CONFIDENTIAL DOCUMENT

drawing 2 of 2

UNDERCARRIAGE	CAGE	WORKING HEIGHT	OPERATORS	CAPACITY	WEIGHT	MAX INCLINATION		MAX WORKING HEIGHT IN TRANSLATION	TRANSLATION ALLOWED WHEN
						LATERAL	LONGITUDINAL		
Bi-Levelling	Movable	8,0 mt	2	250 kg 2 operators + 90 kg equipment	1980 kg	15° +/- 1°	20° +/- 1°	6,0 mt	MAXIMUM GAP 4° (80 mm)

The logo for ALMAC features the word "ALMAC" in a bold, sans-serif font. The letters "A", "L", "M", and "A" are colored in a vibrant lime green, while the final "C" is a muted, greyish-brown color. The letters are closely spaced and have a slight shadow effect, giving them a three-dimensional appearance.

ALMAC

Via Caduti Sul Lavoro, 1 – 46019 Viadana (MN)
Phone +39 0375 833527 Fax +39 0375 784350
info@almac-italia.com www.almac-italia.com